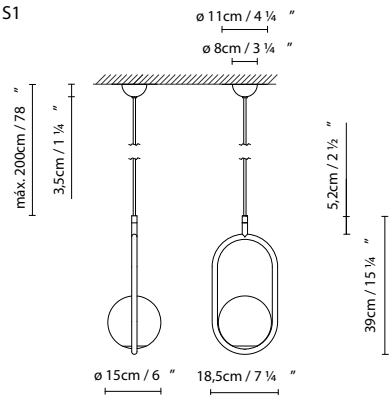
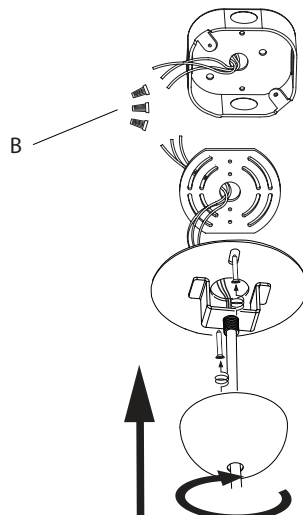


1

S1

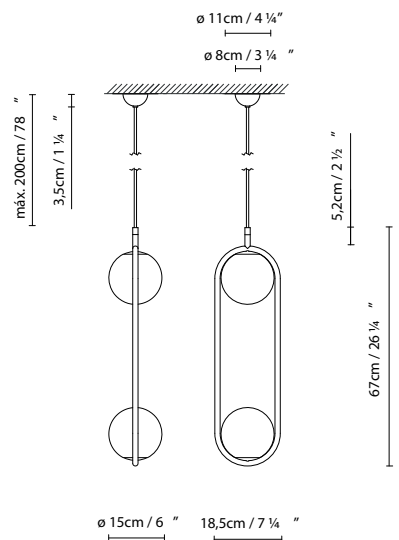


3

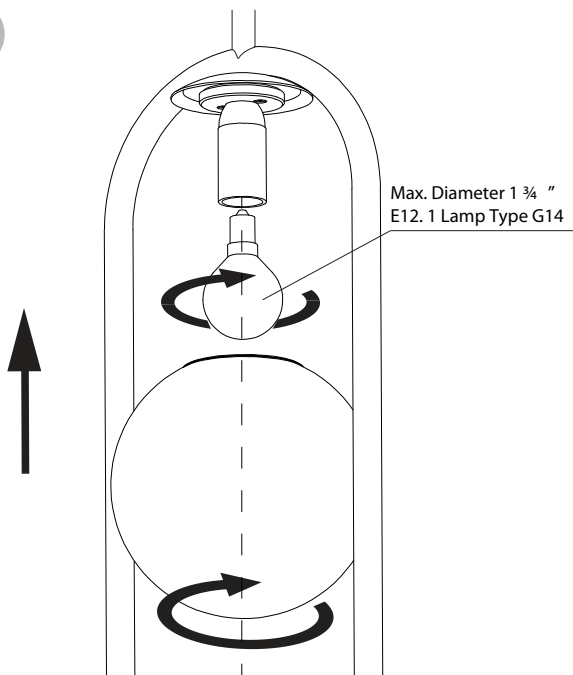


2

S2



4



1. General dimensions of the C\_Ball S1.

2. General dimensions of the C\_Ball S2.

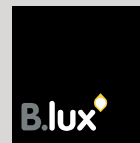
3. Make the connections and secure the lamp (B) using two studs.

4. Screw in the E12 bulb and the glass shade.

Consumer information:

- Lamps without the IP mark are classed as IP20 and are designed for general interior use, except wet areas (bathrooms, etc.)
- Lamps with the IP mark are designed for exterior use and in wet areas. (E.g. IP54)
- They offer guaranteed protection to people and animals against electrical discharge:
  - Class I: through single electrical insulation and an earthing conductor once correctly connected.
  - ◻ • Class II: through double electrical insulation.
  - ◊ • Class III: these kinds of lamps should be connected at very low voltage levels (generally 12V); therefore there is no risk.
- ▽ • Lamps with this symbol, or without any symbols, can be mounted directly onto normally inflammable surfaces.
- ⊗ • Lamps with this symbol cannot be mounted directly onto normally inflammable surfaces.
  - The safety of this lamp is guaranteed by using a maximum wattage bulb that does not exceed the figure displayed visibly on the lamp.
- ♻️ • The product cannot be treated like conventional domestic waste; it must be taken to the corresponding recycling point for electrical and electronic equipment.

## Assembly instructions



B.LUX S.A.

Pol. Ind. Okamika, pab. 1  
48289 Gizaburuaga (Bizkaia) Spain  
T. (+34) 94 682 72 72  
F. (+34) 94 682 49 02  
info@grupoblux.com  
www.grupoblux.com