

**Description:**

Suspension lamp made of aluminum, with transparent protective glass. Available in satin anodized silver or matte white. Combinable with various accessories: a reflector with gloss aluminum slats, a satin anodized aluminum reflective casing, texturized matte white reflective casing, or a reflective casing laminated in oak with a matte white interior. The Roof S130 also offers an accessory methacrylate reflective casing and diffuser, finished in smoked, opal white or transparent red. All these accessory options are supplied by request. Roof S emits direct and diffused light.

Materials:

Aluminum.

Certifications:

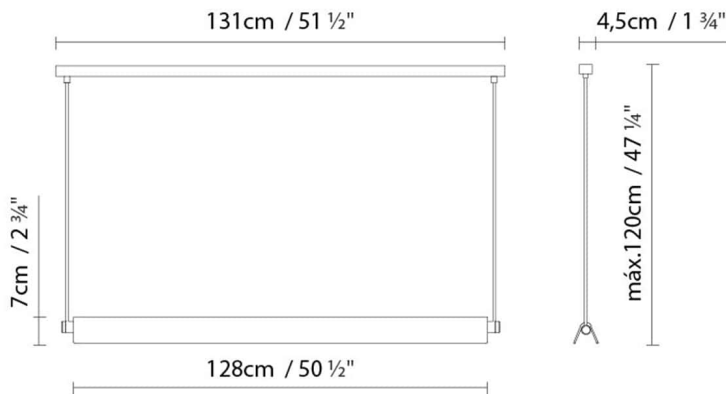
IP20

120V

DESIGN PLUS



ROOF S130

**Light source:**

Fluo. 28W (G5)

Weight :

Net kg: 2.5

Gross kg: 3.1

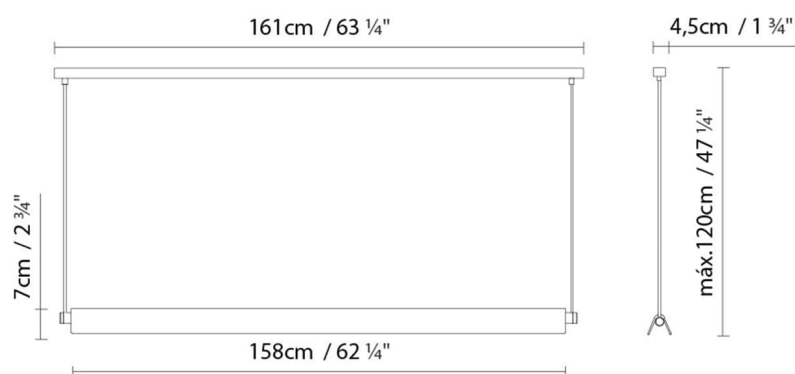
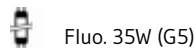
Packaging:

N. packages: 1

Volumen m3: 0.017

Dimensions cm: 16x10x153

ROOF S160

**Light source:****Weight :**

Net kg: 3.0
Gross kg: 3.7

Packaging:

N. packages: 1
Volumen m3: 0.021
Dimensions cm: 10x12x178

Collection



Designer
Technical drawing
Fotometría
3D