**Description:**

Wall lamp. Aluminum, with a polycarbonate shade and direct light (1L), indirect light (1L) or both (2L). Available in several finishes: matte grey, satin white, satin black, or oak veneer. Fluorescent or LED, and two "on" settings version available. Other finishes and dimmer version on request.

Materials:

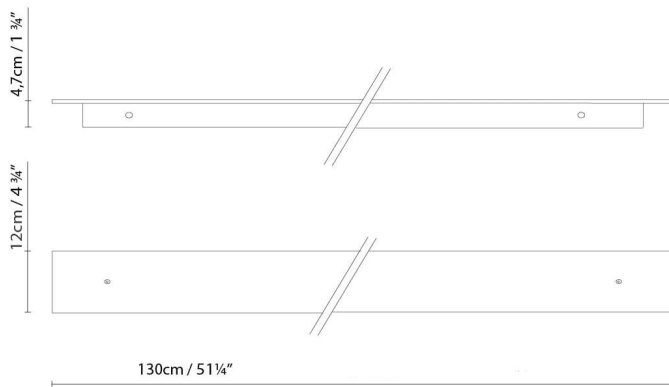
Aluminum.

Certifications:

IP20

120V

MARC DOS W130 (1L) LED

**Light source:**

LED LED 21W 3340lm 450mA 3000K CRI>80
120V

Weight :

Net kg: 3.9

Gross kg:

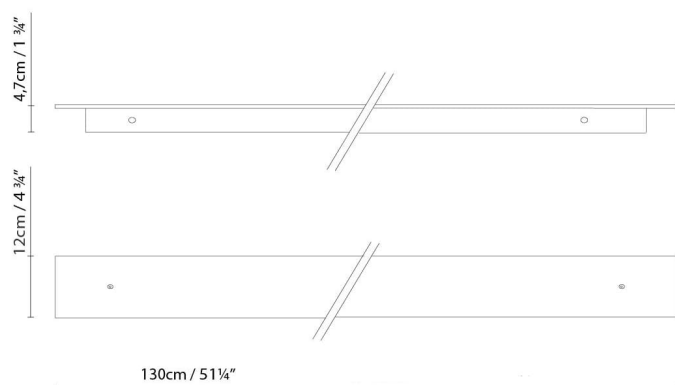
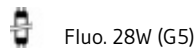
Packaging:

N. packages: 1

Volumen m3: 0.020

Dimensions cm: 14x10x142

MARC DOS W130 (1L) FLUO

**Light source:**

Fluo. 28W (G5)

Weight :

Net kg: 3.9

Gross kg:

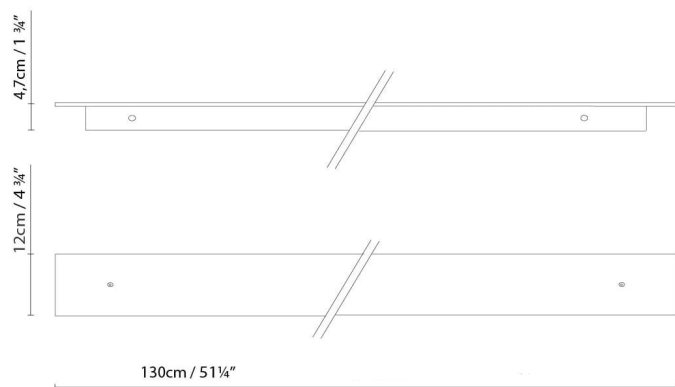
Packaging:

N. packages: 1

Volumen m3: 0.020

Dimensions cm: 14x10x142

MARC DOS W130 (2L) LED

**Light source:****LED** LED 2 x 21W 6680lm 450mA
3000K CRI>80 120V**Weight :**

Net kg: 4.5

Gross kg: 5.5

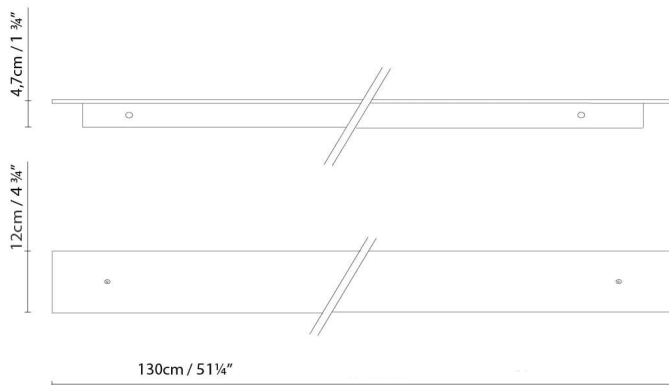
Packaging:


N. packages: 1

Volumen m3: 0.021

Dimensions cm: 11x14x138

MARC DOS W130 (2L) FLUO

**Light source:**

 Fluo. 2 x 28W (G5)

Weight :

Net kg: 4.5

Gross kg: 5.5

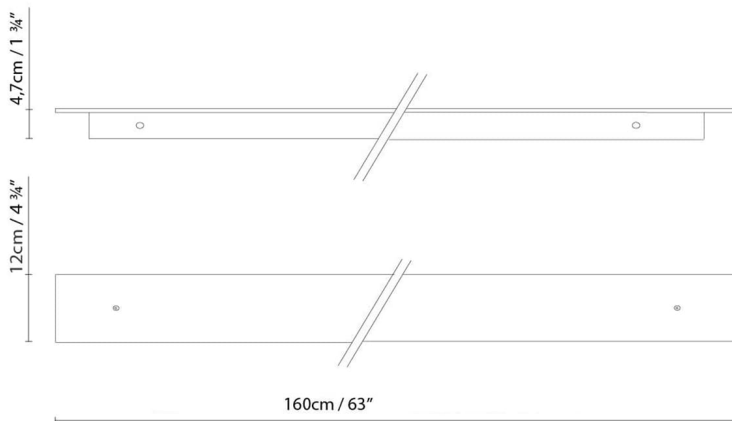
Packaging:

N. packages: 1

Volumen m3: 0.021

Dimensions cm: 11x14x138

MARC DOS W160 (1L) LED

**Light source:**

LED LED 26,2W 4180lm 450mA
3000K CRI>80 120V

Weight :

Net kg:

Gross kg:

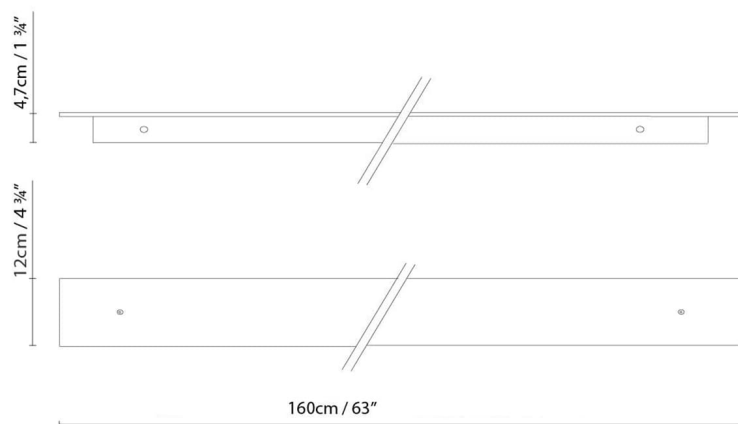
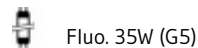
Packaging:

N. packages:

Volumen m3:

Dimensions cm:

MARC DOS W160 (1L) FLUO

**Light source:****Weight :**

Net kg:

Gross kg:

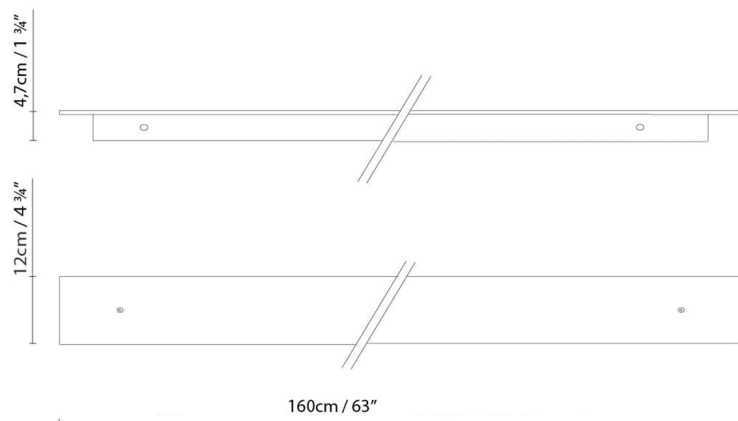
Packaging:

N. packages: 1

Volumen m3:

Dimensions cm:

MARC DOS W160 (2L) LED

**Light source:**

LED LED 2 x 26,2W 8360lm 450mA 3000K
CRI>80 120V

Weight :

Net kg: 5.2

Gross kg: 6.7

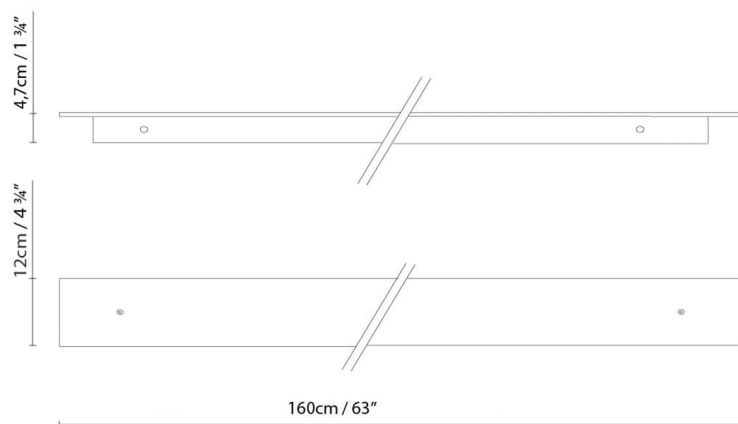
Packaging:


N. packages: 1

Volumen m3: 0.025

Dimensions cm: 10x14x182

MARC DOS W160 (2L) FLUO

**Light source:**

 Fluo. 2 x 35W (G5)

Weight :

Net kg: 5.2

Gross kg: 6.7

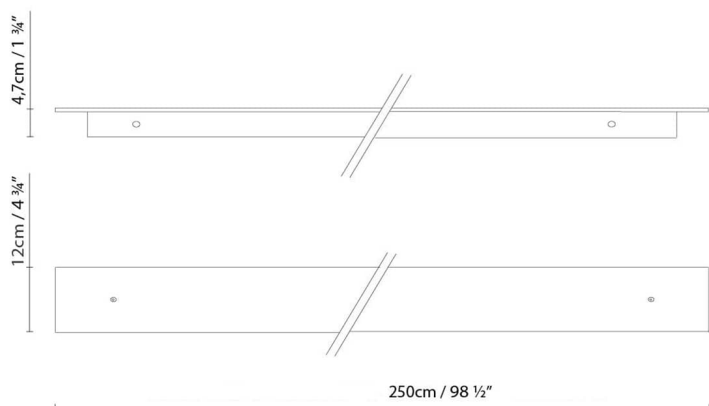
Packaging:

N. packages: 1

Volumen m3: 0.025

Dimensions cm: 10x14x182

MARC DOS W250 (1L) LED

**Light source:**

LED LED 44,6W 7100lm 450mA 3000K CRI>80
120V

Weight :

Net kg:

Gross kg:

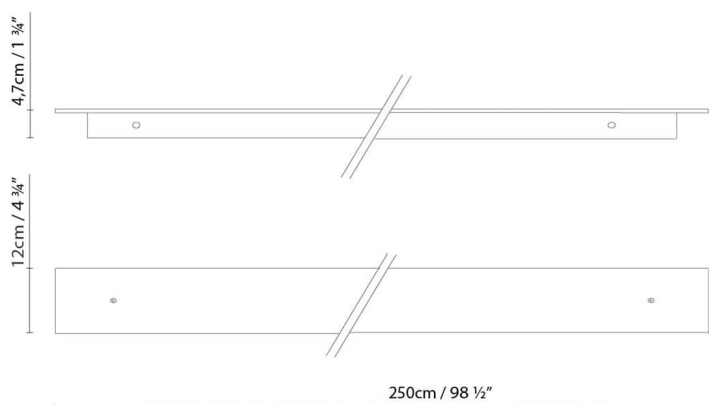

Packaging:

N. packages:

Volumen m3:

Dimensions cm:

MARC DOS W250 (1L) FLUO

**Light source:** Fluo. 2 x 28W (G5)**Weight :**

Net kg:

Gross kg:

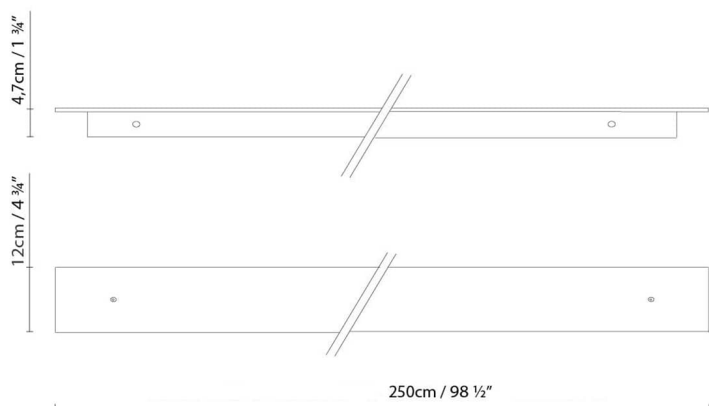
Packaging:

N. packages: 1

Volumen m3:

Dimensions cm:

MARC DOS W250 (2L) LED

**Light source:****LED** LED 2 x 44,6W 14200lm 450mA 3000K
CRI>80 120V**Weight :**

Net kg:

Gross kg:

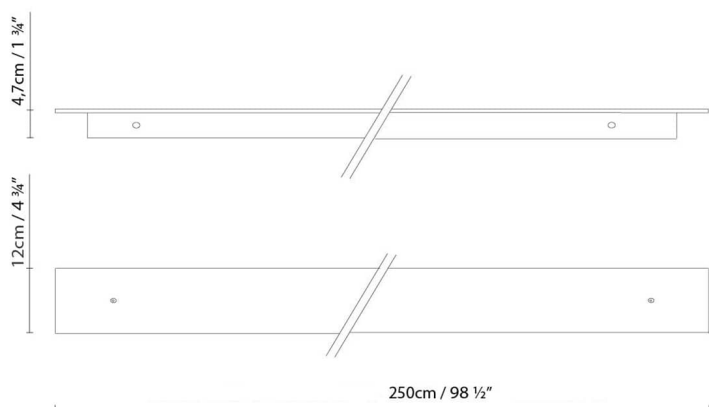
Packaging:

N. packages:

Volumen m3:

Dimensions cm:

MARC DOS W250 (2L) FLUO

**Light source:**

Fluo. 4 x 28W (G5)

Weight :

Net kg:

Gross kg:

Packaging:

N. packages: 1

Volumen m3:

Dimensions cm:

Collection



Designer
Technical drawing
Fotometría
3D